



Fast. Focused. Prioritized.





Twin City Fan & Blower now offers our Model VC and Model DSI fans in a variety of sizes and configurations, ready to ship within five or ten days of ordering. This streamlined FastTrack program helps meet tight project timelines while minimizing downtime for replacement work. All FastTrack units are manufactured at our Elkton, South Dakota facility and are equipped with high-efficiency EC motors for enhanced performance and energy savings.



FastTrack Program Features Include:

- Complete testing of all units prior to shipment to verify operation and ensure quality.
- Many unit options and accessories in the Twin City Fan FastTrack Program provide wide flexibility.
- AMCA licensing of most units.
- UL and/or CSA listing on most stock units to ensure code compliance.



Model VC
Direct Drive



Model DSI
Direct Drive



APPLICATION

Designed specifically for roof mounted applications, exhausting relatively clean air. Fans feature high efficiency, non-overloading, backward inclined centrifugal impellers precisely matched to a deep spun venturi.

SIZES

8.25" to 12" impeller diameters

PERFORMANCE

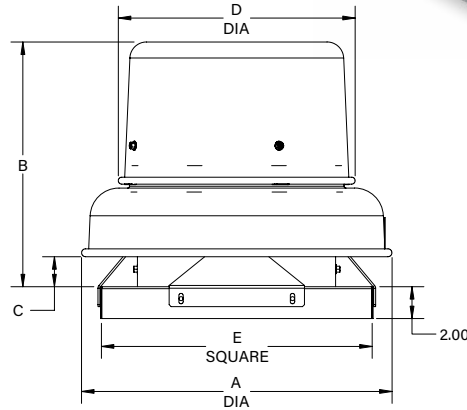
Airflow to 5,600 CFM
Static pressure to 1" w.g.

LITERATURE (Available at www.tcf.com)

Catalog 5500
Installation and Maintenance Manual - IM-5500

ACCESSORIES

See below.



SIZE	HP	RPM	MAX. QUANTITY		FAN DIMENSIONS				
			5-DAY ¹	10-DAY ¹	A	B	C	D	E
085	1/8	1800	6	12	19.50	15.36	1.88	14.87	17.00
089	1/8	1800			22.00	17.30	2.67	17.44	17.00
098	1/8	1800			22.00	17.30	2.67	17.44	17.00
120	1/2	1800			22.00	17.30	2.67	17.44	17.00

500019491B

NOTES:

1. Availability is in business days.
2. Thermal overload motors are exempt from FastTrack.
3. Remote mounted speed dial is not available.

ACCESSORIES

ACCESSORIES	ADDITIONAL INFO	REQUIRED	OPTIONAL
Bird Screen, Galvanized		✓	—
Speed Controller, 0-10V DC Lead	Factory Installed	✓	—
GridPoint Speed Controller	Handheld	✓	—
- Choice of Either -			
Disconnect Switch, Unfused (NEMA 1)	Shipped Loose	✓	—
Disconnect Switch, Unfused (NEMA 1)	Mounted & Wired	✓	—
Backdraft Damper, Aluminum		—	✓
Roof Curb, 18" Galv. Self-Flashing	1.5" Thick Insulation	—	✓



Application

Specifically designed for duct applications handling relatively clean air, including supply, exhaust and return air systems. DSI fans offer high efficiency and quiet operation in a compact design that can be mounted in any position (horizontal, vertical or angular). Duct collars are provided for easy mounting without the need for square to round duct transitions.

Sizes

10.5" to 16.5" impeller diameters

Performance

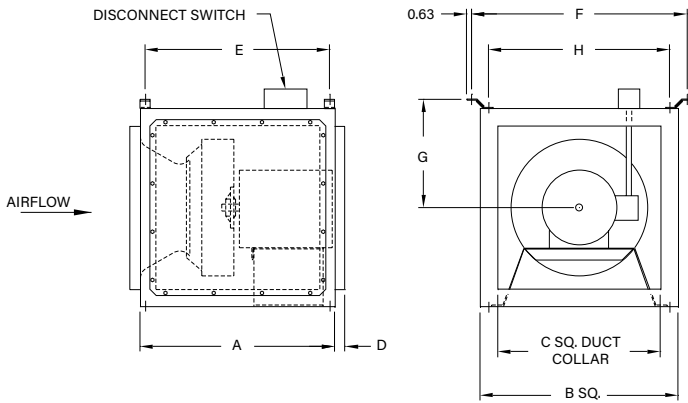
Airflow to 5,800 CFM
 Static pressure to 2" w.g.

Literature (Available at www.tcf.com)

Catalog 4205
 Installation and Maintenance Manual - IM-4205

Accessories

See below.



SIZE	HP	RPM	MAX. QUANTITY		FAN DIMENSIONS							
			5-DAY ¹	10-DAY ¹	A	B	C	D	E	F	G	H
080AE	1/4, ODP	1800	6	12	19.00	15.33	11.88	1.00	16.50	19.50	8.63	13.56
090AE	1/4, ODP	1800			19.00	15.33	11.88	1.00	16.50	19.50	8.63	13.56
135AE	1, ODP	1750			23.00	21.56	17.88	1.00	21.50	24.25	12.19	19.16
150AE	1, ODP	1750			24.00	23.82	19.88	1.00	22.50	26.38	13.29	21.31

D-4210J

NOTES:

1. Availability is in business days.
2. ODP 115V/208-230 motors available on 5-Day ship.
3. Thermal overload motors are exempt from FastTrack.
4. Remote mounted speed dial is not available.

ACCESSORIES

ACCESSORIES	ADDITIONAL INFO	REQUIRED	OPTIONAL
Speed Controller, 0-10V DC Lead	Factory Installed	✓	—
GridPoint Speed Controller	Handheld	✓	—
Speed Controller, Motor Mounted Dial, Included by Motor Manufacturer	Size 150AE only	✓	—
- Choice of Either -			
Disconnect Switch, Unfused (NEMA 1)	Shipped Loose	✓	—
Disconnect Switch, Unfused (NEMA 1)	Mounted & Wired	✓	—
Backdraft Damper, Aluminum		—	✓
Vibration Isolators, Spring	With Hanger Brackets	—	✓
Vibration Isolators, Neoprene	With Hanger Brackets	—	✓



INDUSTRIAL PROCESS AND COMMERCIAL VENTILATION SYSTEMS

CENTRIFUGAL FANS | UTILITY SETS | PLENUM & PLUG FANS | INLINE CENTRIFUGAL FANS
MIXED FLOW FANS | TUBEAXIAL & VANEAXIAL FANS | WALL MOUNTED FANS | ROOF VENTILATORS
CENTRIFUGAL ROOF & WALL EXHAUSTERS | CEILING VENTILATORS | GRAVITY VENTILATORS | DUCT BLOWERS
RADIAL BLADED FANS | RADIAL TIP FANS | HIGH EFFICIENCY INDUSTRIAL FANS | PRESSURE BLOWERS
LABORATORY EXHAUST FANS | FILTERED SUPPLY FANS | MANCOOLERS | FIBERGLASS FANS | CUSTOM FANS



TWIN CITY FAN & BLOWER
WWW.TCF.COM

5959 TRENTON LANE N. | MINNEAPOLIS, MN 55442 | PHONE: 763-551-7600 | FAX: 763-551-7601

©2025 Twin City Fan Companies, Ltd., Minneapolis, MN. All rights reserved. Catalog illustrations cover the general appearance of Twin City Fan & Blower products at the time of publication and we reserve the right to make changes in design and construction at any time without notice.