

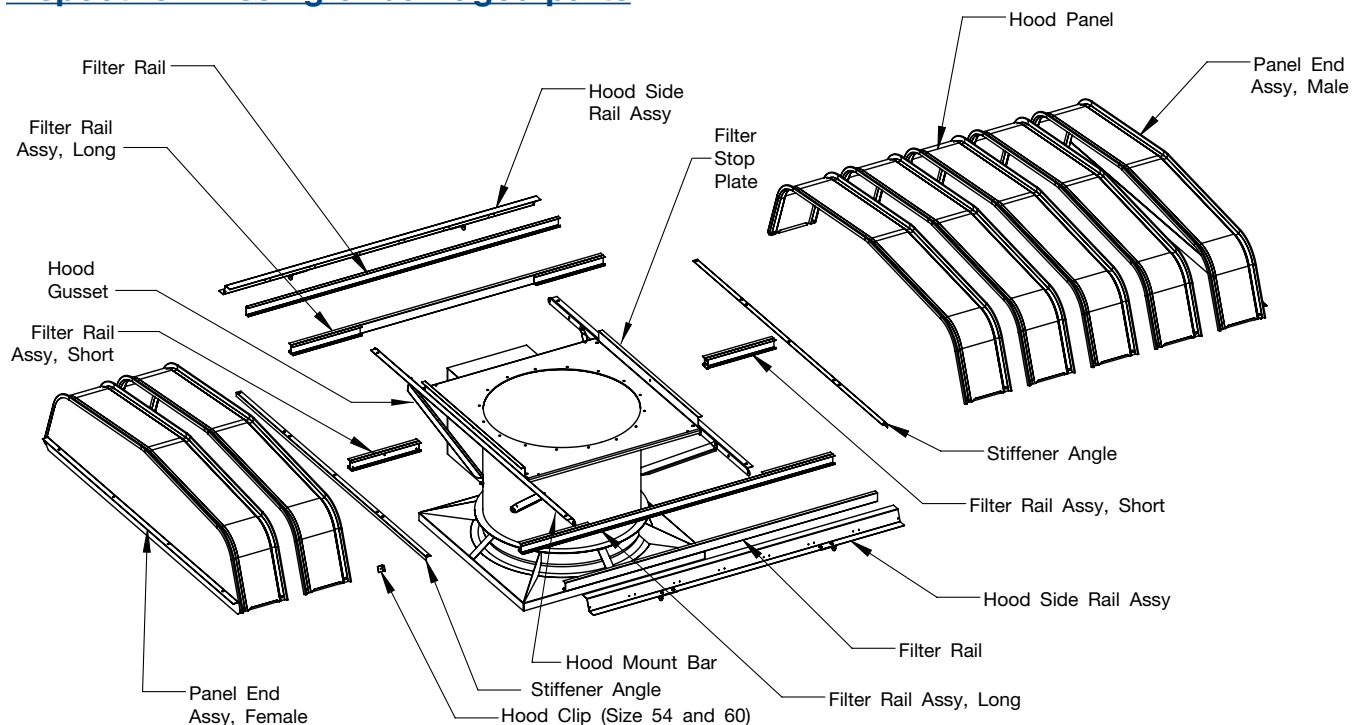
	Fan Size/Qty							
	21	24	30	36	42	48	54	60
Panel End Assy, Male	1	1	1	1	1	1	1	1
Panel End Assy, Female	1	1	1	1	1	1	1	1
Hood Panel	2	3	5	5	6	7	8	9
Hood Side Rail Assy	2	2	2	2	2	2	2	2
Filter Rail Assy, Long	2	2	2	2	2	2	2	2
Filter Rail Assy, Short	0	2	2	2	2	2	2	2
Filter Rail	2	2	2	2	2	2	2	2
Hood Gusset	0	0	4	4	4	4	4	4
Stiffener Angle	2	2	2	2	2	2	2	2
Filter Stop Plate	2	2	2	2	2	2	2	2
Hood Clip	0	0	0	0	0	0	18	20
Hood Mount Bar	2	2	2	2	2	2	2	2
Filter Size A	4	6	8	8	8	10	10	10
Filter Size B	2	4	4	4	4	4	8	8

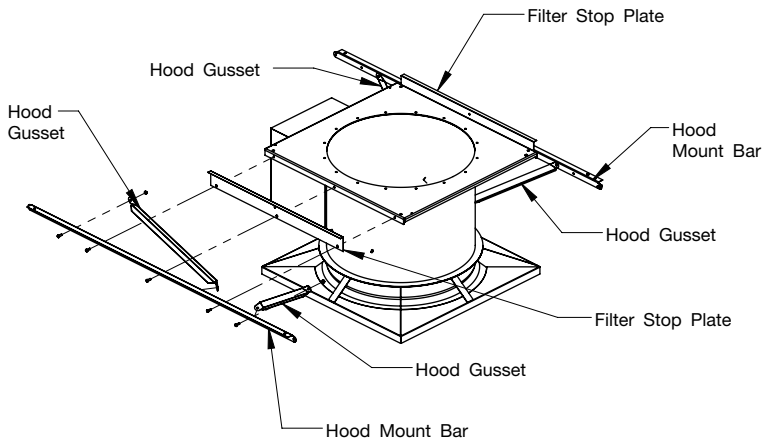
HDWRKIT-LH01	Hardware Kit #1 - Hood
Qty	Item
12	Cap Screw, Serrated Flange Hex, 3/8-16 x .75
20	Hex Nut, Serrated Flange, 3/8-16
4	Cap Screw, Serrated Flange Hex, 3/8-16 x 1.25
72	Screws, #12

HDWRKIT-LH07	Hardware Kit #7 - Filter Rail
Qty	Item
22	Cap Screw, Serrated Flange, 5/16-18 x .75
16	Hex Nut, Serrated Flange, 5/16-18
6	Nut Clips, 5/16

- Fan sizes 21 to 36 are shipped fully assembled, unless otherwise specified.
- A minimum of two people are required for assembly. Before starting, review these instructions.
- The following tools are required:
 - Powered screwdriver (preferred), or drill
 - 3/8, 7/16, 1/2, 9/16 wrenches and sockets
 - 5/16" nut driver bit for powered screwdriver
 - Awl, for hole alignment

Inspect for missing or damaged parts



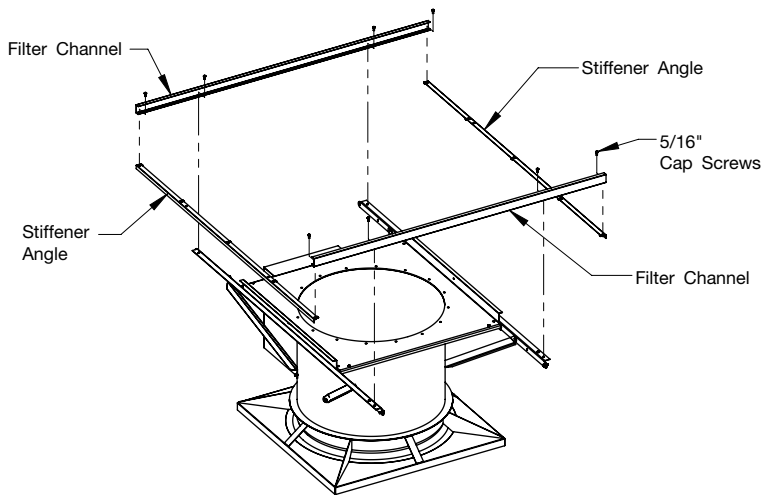


Step 1 – Install Hood Mount Bars, Gussets and Filter Stops

Fasteners (Kit #1):

Cap Screw, Serrated Flange, 3/8-16 x 0.75
Hex Nut, Serrated Flange, 3/8-16

- A. Assemble Hood Mount Bars and Filter Stop Plates, both sides, using cap screws and nuts.
- B. Assemble four Hood Gussets to Hood Mount Bars and fan housing using cap screws and nuts.

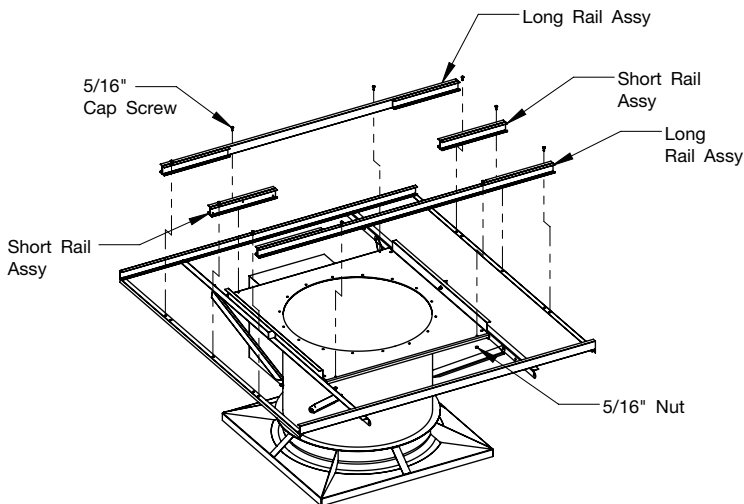


Step 2 – Install Filter Channels and Stiffeners

Fasteners (Kit #7):

Cap Screw, Serrated Flange, 5/16-18 x 0.75
Hex Nut, Serrated Flange, 5/16-18

- A. Assemble two Filter Channels to Hood Mount Bars using cap screws and nuts.
- B. Assemble two Stiffener Angles to the Filter Channels using cap screws and nuts.

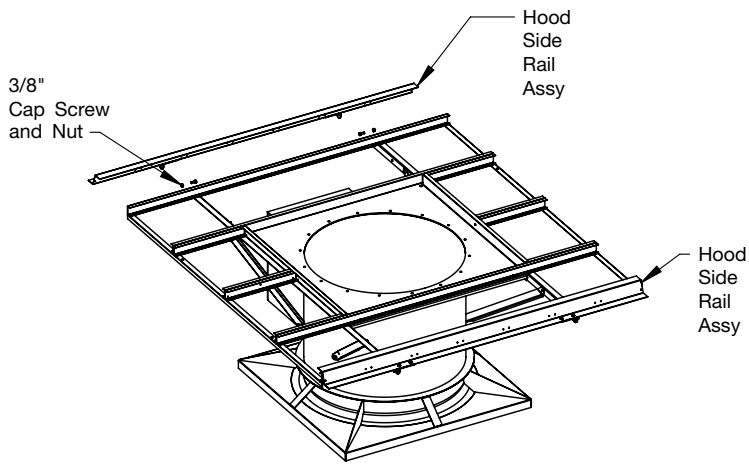


Step 3 – Install Filter Rail Assemblies

Fasteners (Kit #7):

Cap Screw, Serrated Flange, 5/16-18 x 0.75
Hex Nut, Serrated Flange, 5/16-18

- A. Assemble two Long Rail Assemblies using cap screws and nuts.
- B. Assemble two Short Rail Assemblies using cap screws and nuts.

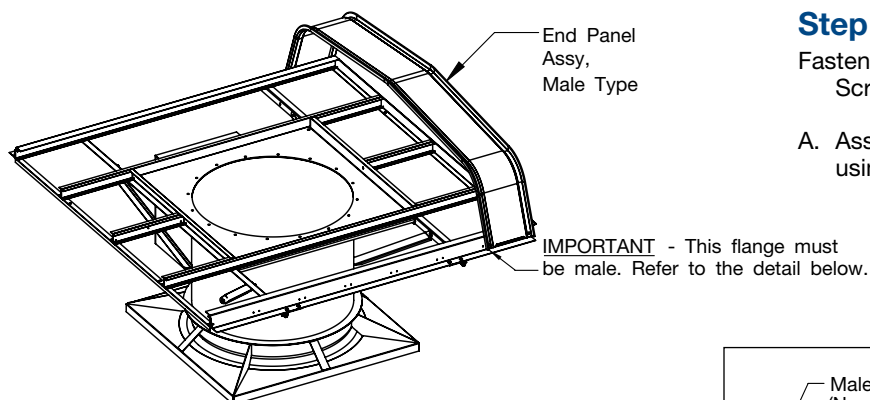


Step 4 – Install Hood Side Rails

Fasteners (Kit #1):

Cap Screw, Serrated Flange, 3/8-16 x 1.25
Hex Nut, Serrated Flange, 3/8-16

- A. Install two Hood Side Rail Assemblies to the Hood Mount Bars using cap screws and nuts. Do not fully tighten fasteners. They will be tightened in Step 7.



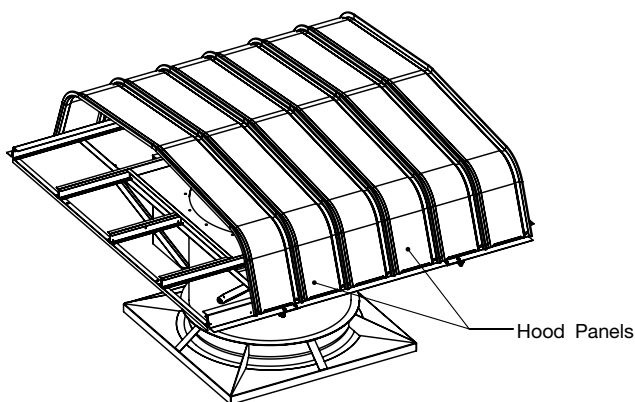
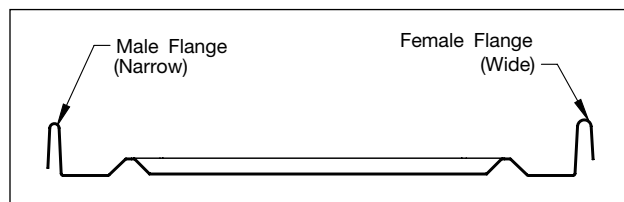
Step 5 – Install End Assy (Male)

Fasteners (Kit #1):

Screws, #12

- A. Assemble End Panel Assembly (male type) using two #12 screws.

End View of Panel



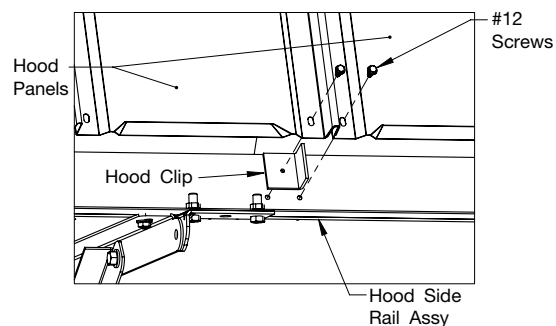
Step 6 – Install Hood Panels

Fasteners (Kit #1):

Screws, #12

- A. Install the Hood Panels using #12 screws.
B. On Sizes 54 and 60, hood clips must be installed at each interlocking rib while installing the panels. Position the Hood Panel in place and reach underneath to slide the clip into place.

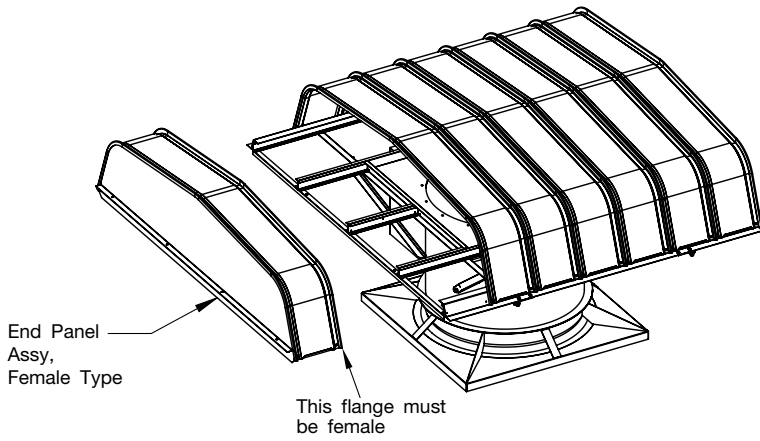
**For Sizes 54 and 60,
install hood clips at each rib.**



Step 7 – Install End Assembly (Female)

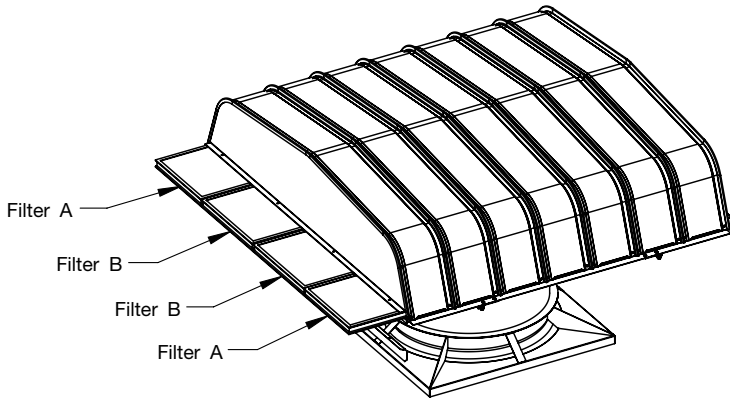
Fasteners (Kit #1):
Screws, #12

- Assemble End Panel Assembly (female type) using four #12 screws. On sizes 54 and 60, install hood clips at flange joints.
- Fully tighten the Hood Mount Bar/Side Rail fasteners from Step 4.



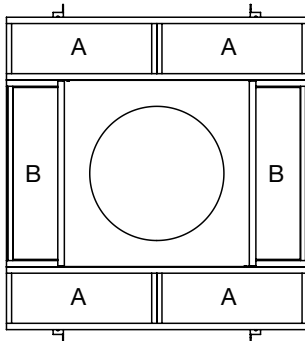
Step 8 – Install Filters

- Remove both Filter Retainers from End Panels. Retain hardware.
- Install Filters as shown.
- Reinstall both Filter Retainers.

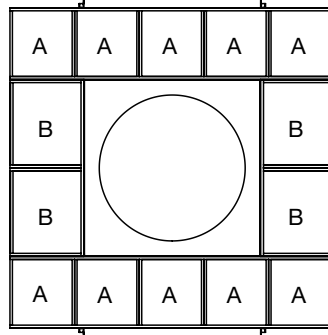


Filter Configurations

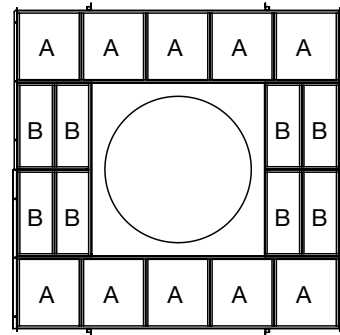
Fan Size 21



Fan Size 24 to 48
(Check table for quantities)



Fan Size 54 to 60



Fan Size	Filter A			Filter B		
	P/N	Size	Quantity	P/N	Size	Quantity
21	FILTER2A-LH21	23.81 x 9.75	4	FILTER2B-LH21	29.19 x 8.88	2
24	FILTER2A-LH24	19.88 x 13.50	6	FILTER2B-LH24	16.00 x 13.38	4
30	FILTER2A-LH30	20.88 x 15.50	8	FILTER2B-LH30	20.00 x 21.06	4
36	FILTER2A-LH36	20.81 x 20.50	8	FILTER2B-LH36	23.00 x 18.25	4
42	FILTER2A-LH42	23.81 x 17.00	8	FILTER2B-LH42	26.00 x 21.38	4
48	FILTER2A-LH48	21.44 x 23.50	10	FILTER2B-LH48	29.00 x 24.38	4
54	FILTER2A-LH54	23.88 x 26.50	10	FILTER2B-LH54	32.13 x 13.69	8
60	FILTER2A-LH60	26.25 x 29.50	10	FILTER2B-LH60	35.00 x 15.00	8



TWIN CITY FAN & BLOWER | WWW.TCF.COM

5959 Trenton Lane N | Minneapolis, MN 55442 | Phone: 763-551-7600 | Fax: 763-551-7601