

**AMCA 260
TESTED**

Mixed Flow Induced Flow Exhaust Fan, Belt Driven Model QIFE

The QIFE is intended for use in exhausting laboratory/hazardous fumes in a safe and efficient manner. The fan induces clean, external air and mixes it with the contaminated building exhaust to dilute the air and increase the outlet volume, exhausting the air at a high velocity to prevent the fumes from re-entering the buildings intake or make-up air.

The QIFE is for use in applications such as:

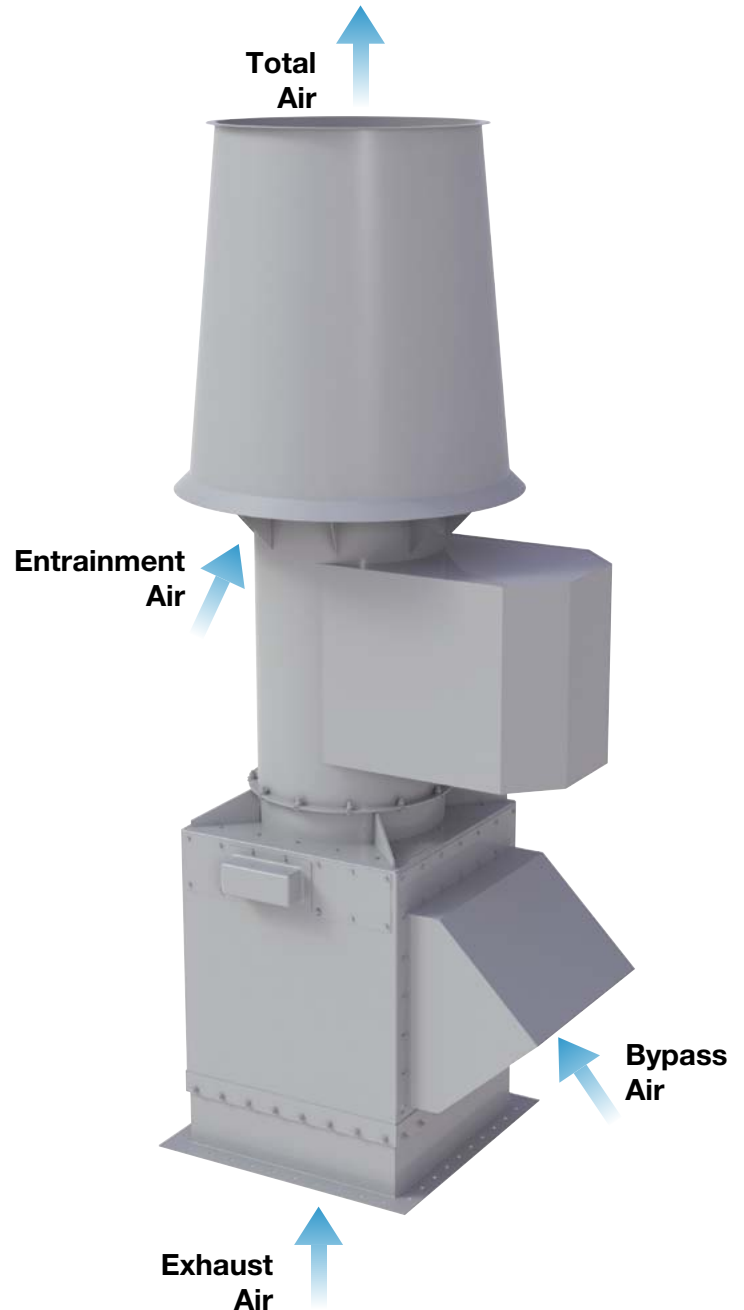
- Laboratories
- Hospitals
- Schools
- Chemical Storage

Standard Product Features

- Induced flow windband
- Mixed flow wheel design
- Three discharge nozzles available per size
- Wheel diameters from 12.5" through 66"
- Heavy-duty coated steel curb cap
- Bolted access door
- Housing drain
- 125 mph wind load capability

Optional Features

- Modular mixing plenum box
- Roof Curb
- Control dampers
- AMCA "B" or "C" spark resistant construction
- Special coating and materials
- Acoustic windband



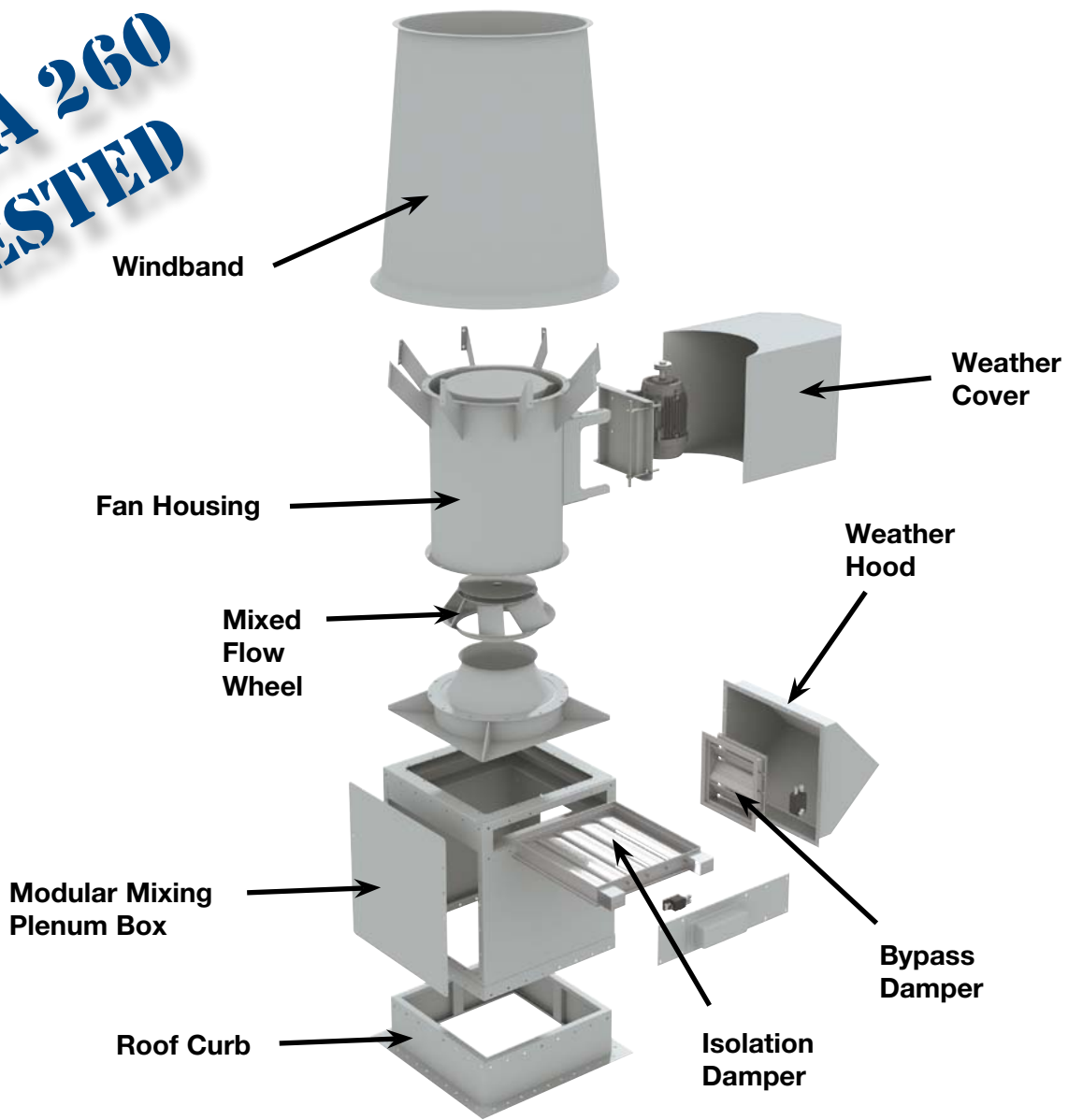
The AMCA Certified Ratings Seal applies to Induced Flow Fan Air and Sound Performance tested in accordance with AMCA Standard 260.

Fans & Blowers
Twin City

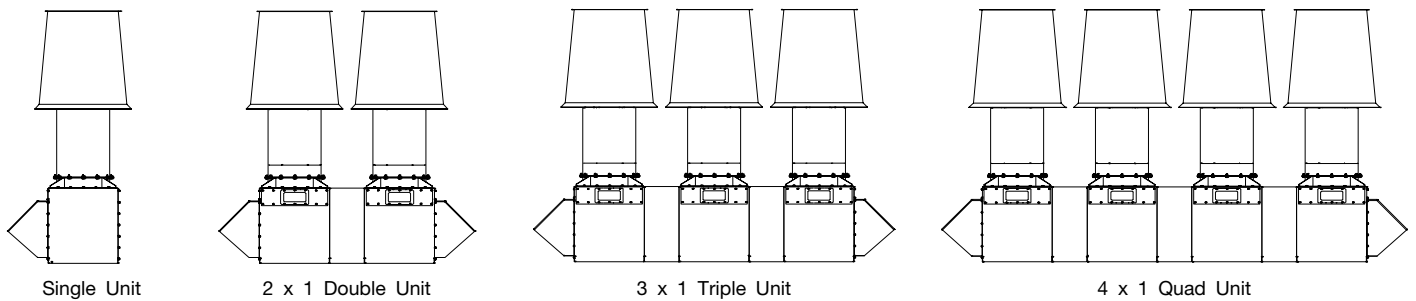
5959 TRENTON LANE NORTH • MINNEAPOLIS, MN 55442-3237
PHONE: 763-551-7600 • FAX: 763-551-7601

WWW.TCF.COM

**AMCA 260
TESTED**



Mounting Configurations



5959 TRENTON LANE NORTH • MINNEAPOLIS, MN 55442-3237
PHONE: 763-551-7600 • FAX: 763-551-7601

WWW.TCF.COM