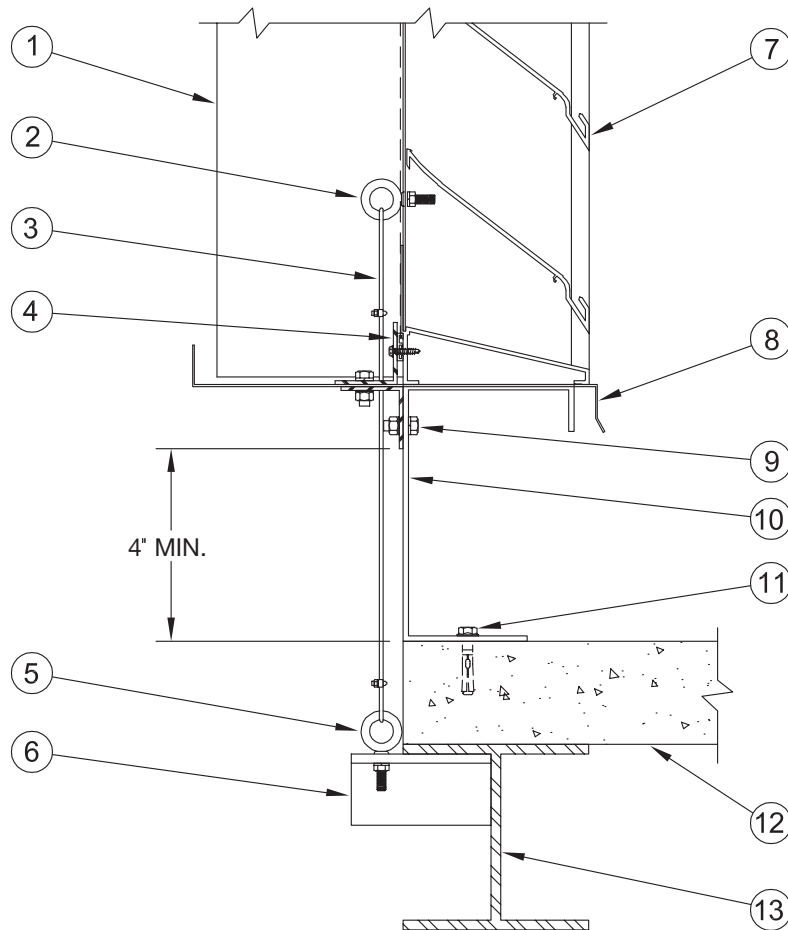


**Installation Detail**

### Vertical Section Through One Side - Typical for all sides

1. Louver blade support.
2. Tie-down cable eyebolt, one at each corner.
3.  $\frac{1}{8}$ " diameter SS tie-down cable (2' long) & clamps, one at each corner. Installer to drill hole through sill base for cable to pass through. Installer to caulk around cable at sill penetration.
4. Double  $2" \times 1\frac{1}{2}" \times \frac{1}{8}" \times 4"$  long aluminum angles, 2 sets per side and 15" max. from inside corners (sides less than 15" inside dimension require only one angle). Attach to louver with two #12 self-drilling metal screws per angle. Attach angles together with one  $\frac{1}{4}" - 20 \times 1\frac{1}{2}"$  hex head bolt and lock nut through sill base. Installer to caulk around fastener penetrations through sill base. Angles and fasteners ship loose.
5. Tie-down eye-bolt shipped loose. Installer to mount eye-bolt in existing structure and install tie-down cable through.
6. Penthouse louvers.
7. Sill base.
8.  $\frac{1}{4}" - 20 \times 1"$  hex head bolt with flange nut, shipped loose. Installer to attach through curb and angle.
9. Steel curb provided by Twin City Fan & Blower.
10.  $\frac{1}{4}" - 20 \times 1\frac{1}{2}"$  hex head bolt with locknut & washer provided by others at 18" center-to-center spacing and 6" from end.
11. Structure provided by others.



**Alternate Installation Detail**

## Vertical Section Through One Side - Typical for all sides

1. Louver blade support.
2. Tie-down cable eyebolt, one at each corner.
3. 1/8" diameter SS tie-down cable (2' long) & clamps, one at each corner. Installer to drill hole through sill base for cable to pass through. Installer to caulk around cable at sill penetration.
4. Double 2" x 1 1/2" x 1/8" x 4" long aluminum angles, 2 sets per side and 15" max. from inside corners (sides less than 15" inside dimension require only one angle). Attach to louver with two #12 self-drilling metal screws per angle. Attach angles together with one 1/4" - 20 x 1 1/2" hex head bolt and lock nut through sill base. Installer to caulk around fastener penetrations through sill base. Angles and fasteners ship loose.
5. Tie-down cable eyebolt shipped loose. Installer to mount eye-bolt in existing structure and install tie-down cable through.
6. 2" x 2" x 1/8" thick steel angle or similar provided by others, welded to existing structure.
7. Penthouse louvers.
8. Sill base.
9. 1/4" - 20 x 1" hex head bolt with flange nut, shipped loose. Installer to attach through curb and angle.
10. Steel curb provided by Twin City Fan & Blower.
11. 1/4" Hilti Kwik Bolt II with 2" embedment, 18" center-to-center spacing and 6" from ends, provided by others.
12. Concrete structure provided by others.
13. Structure provided by others.



# Twin City Fan & Blower

*A Twin City Fan Company*

5959 Trenton Lane · Minneapolis, MN 55442-3237  
 Phone (763) 551-7600 · Fax (763) 551-7601 · www.tcf.com

